

CM-DP-2S/ DR-201D

Door phone



CM-DP-2S

Feature :

- 2 wires with non-polarity
- User friendly handset design with convenient hand grip

Specifications :

Power Source : 100/110/120/220/230/240V~, 50/60Hz
Mount type : Surface-mounted type
Wiring Call : 2 wires
Door Release : 2 wires(1.6Ø Copper wire)
Distance : 100m(0.65Ø) 150m(0.8Ø)
Dimension(mm): 108(W)×210(H)×33(61)(D)



DR-201D



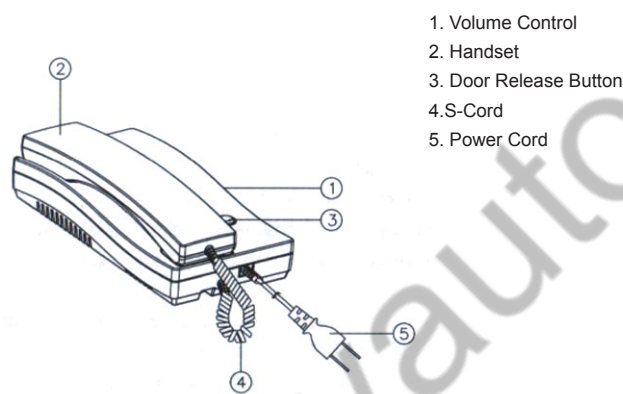
Function : Call Room Unit

Applicable Products : DP-201R, DP-201RA, DP-RA01, DP-2K, DP-20H

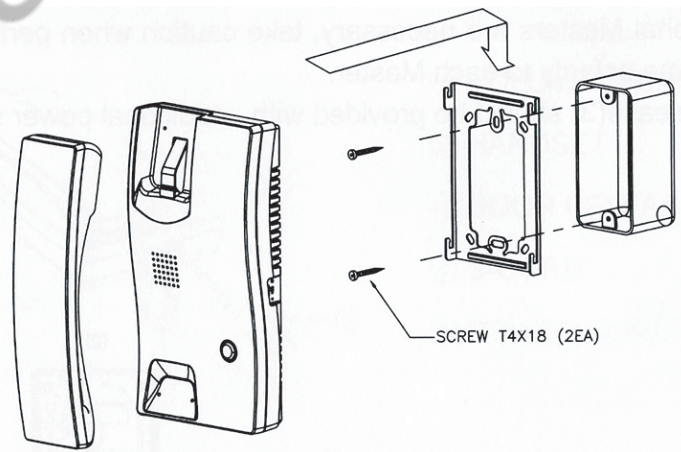
Wiring : 2 Wire

Material : Plastic/ Surface Mount Type

OVERVIEW



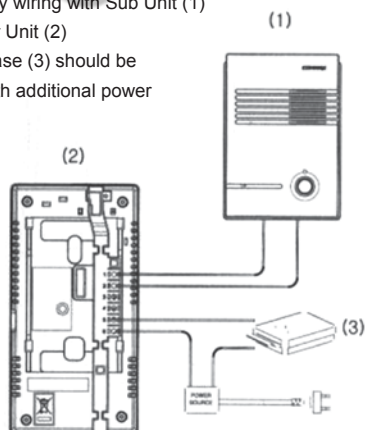
INSTALLATION DIAGRAM



WIRING DIAGRAM

AC220V

- Non polarity wiring with Sub Unit (1) and Master Unit (2)
- Door Release (3) should be provided with additional power source



DIMENSIONS

