

Key Feature

- 7-inch colorful touch screen with resolution 1024 × 600
- Supports Android app installation
- Open platform for the third-party software integration
- Video intercom & live view on mobile phone all-day
- Built-in Hik-Connect for all-in-one management
- Wireless intrusion panel for on-site management
- Receives 7 seconds of video verification from alarm systems

Specification

System parameters	
Operation system	Embedded Android operation system
Flash	1 GB
RAM	4 GB Emmc
CPU	Embedded processor
Display parameters	
Size	7-inch
Operation method	Capacitive touch screen
Type	Colorful TFT
Resolution	1024 × 600
Video parameters	
Video compression standard	/
Lens	/

FOV	/
WDR	/
Pixel	/
Focal length	/

Audio parameters

Audio input	Built-in omnidirectional microphone
Audio compression standard	G.711 U, G.711 A
Audio output	Built-in loudspeaker
Audio compression bitrate	64 Kbps
Audio quality	Noise suppression and echo cancellation
Volume adjustment	Adjustable

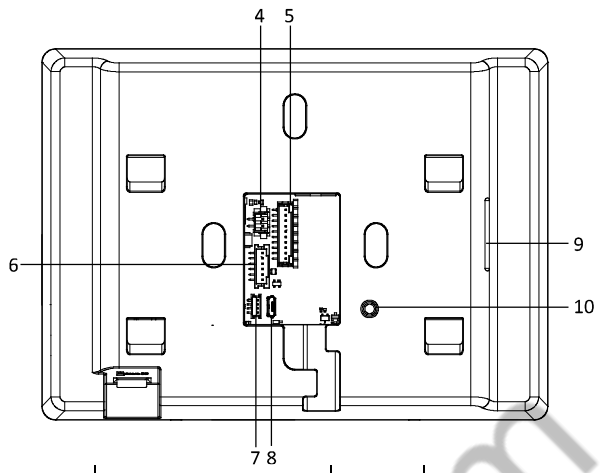
Capacity

Linked IPC	16
Linked indoor extensions	5
Notices	200
Linked doorphone	8

Network parameters

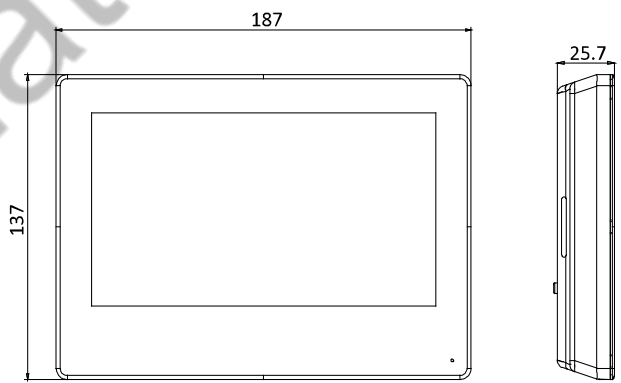
Communication protocol	TCP/IP, SIP, RTSP
Wired network	Support
Wi-Fi	Wi-Fi 802.11 b/g/n
Bluetooth	/
3G/4G	/

Zigbee	/
Device interfaces	
Alarm input	8
Network interface	1 RJ-45 10/100 Mbps self-adaptive
TAMPER	/
RS-485	1
USB	For debug only
TF card	Max to 32 G, SD 2.0 or lower version
Alarm output	2
Power interface	1
General	
Button	/
Installation	Surface mounting
Indicator	/
Weight	Without package: 419.3 g With package: 694 g
Protective level	/
Working temperature	-10 ° C to 50 ° C (14 ° F to 122 ° F)
Working humidity	10% to 90%
Dimensions	187 mm × 137 mm × 25.7 mm (7.36" × 5.39" × 1.01")
Battery	/
Power supply	IEEE802.3af, standard PoE 12 VDC, 1 A
Application environment	Indoor
Power consumption	≤ 8 W



No.	Description	No.	Description
1	Display Screen	6	RS-485/Relay Interface
2	Microphone	7	Debugging Port
3	Unlock Button	8	Micro USB Interface
4	Power Terminal	9	Loudspeaker
5	Alarm Terminal	10	TAMPER

Dimension

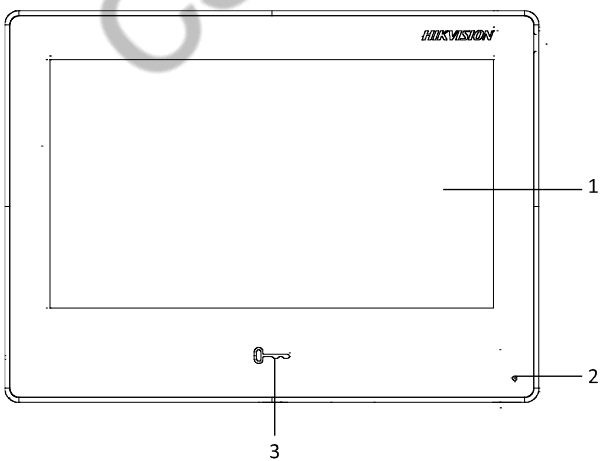


Unit:mm

Available Model

DS-KH9310-WTE1

Physical Interface



Distributed by

**HIKVISION®****Headquarters**

No.555 Qianmo Road, Binjiang District,
Hangzhou 310051, China
T +86-571-8807-5998
overseasbusiness@hikvision.com

Hikvision USA

T +1-909-895-0400
sales.usa@hikvision.com

Hikvision Australia

T +61-2-8599-4233
salesau@hikvision.com

Hikvision India

T +91-22-28469900
sales@pramahikvision.com

Hikvision Canada

T +1-866-200-6690
sales.canada@hikvision.com

Hikvision Thailand

T +662-275-9949
sales.thailand@hikvision.com

Hikvision Europe

T +31-23-5542770
sales.eu@hikvision.com

Hikvision Italy

T +39-0438-6902
info.it@hikvision.com

Hikvision Brazil

T +55 11 3318-0050
Latam.support@hikvision.com

Hikvision Turkey

T +90 (216)521 7070- 7074
sales.tr@hikvision.com

Hikvision Malaysia

T +601-7652-2413
sales.my@hikvision.com

Hikvision UK & Ireland

T +01628-902140
sales.uk@hikvision.com

Hikvision South Africa

Tel: +27 (10) 0351172
sale.africa@hikvision.com

Hikvision France

T +33(0)1-85-330-450
info.fr@hikvision.com

Hikvision Kazakhstan

T +7-727-9730667
nikia.panfilov@hikvision.ru

Hikvision Vietnam

T +84-974270888
sales.vt@hikvision.com

Hikvision UAE

T +971-4-4432090
salesme@hikvision.com

Hikvision Singapore

T +65-6684-4718
sg@hikvision.com

Hikvision Spain

T +34-91-737-16-55
info.es@hikvision.com

Hikvision Tashkent

T +99-87-1238-9438
uzb@hikvision.ru

Hikvision Hong Kong

T +852-2151-1761
info.hk@hikvision.com

Hikvision Russia

T +7-495-669-67-99
saleru@hikvision.com

Hikvision Korea

T +82-(0)31-731-8817
sales.korea@hikvision.com

Hikvision Poland

T +48-22-460-01-50
info.pl@hikvision.com

Hikvision Indonesia

T +62-21-2933759
Sales.Indonesia@hikvision.com

Hikvision Colombia

sales.colombia@hikvision.com